

## MOUNTING INSTRUCTIONS

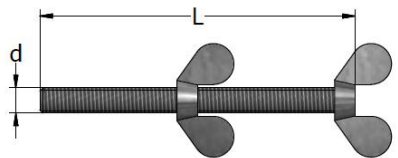


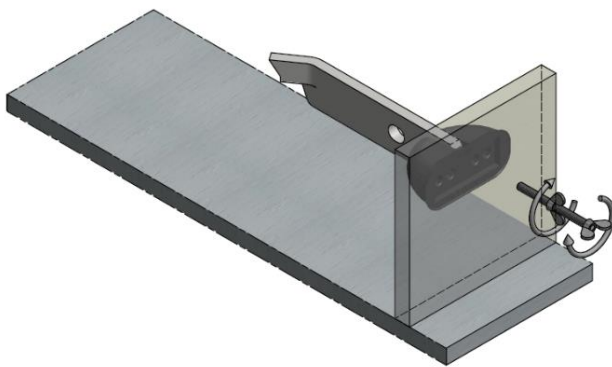
### 2D - LIFTING SYSTEMS | **TDV THREADED HOLDING BOLT**



### THREADED HOLDING BOLT “TDV”

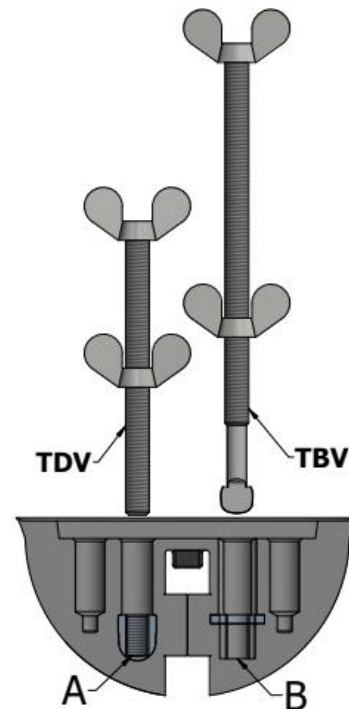
The threaded holding bolt TDV is used for attaching the recess former to the steel formwork. It has a locked wing nut at its upper end. There is another (loose) nut on the thread.

	TYPE	Product number	Load group [kN]	Dimensions	
				“L” [mm]	“diameter” [Metric]
				TDV - 025	44575
TDV - 050	44576	30 - 50	160	M 8	
TDV - 100	44577	75 - 100	160	M 12	
TDV - 200	44578	125 - 260	180	M 16	



Drill the formwork and push the TBV or TDV into the designated hole, screw the recess former RBF in with the anchor mounted. Pull to formwork and tighten against the formwork using the second nut.

- For fixing with TDV, use the threaded hole **A**
- For fixing with TBV, use the threaded hole **B**



## CONTACT



TERWA is the global supplier for precast and construction solutions with multiple offices around the world. With all our staff, partners and agents, we are happy to provide all construction and precast companies who work in the building industry with full service and 100% support.

### TERWA CONSTRUCTION GROUP

#### Terwa Construction Netherlands (HQ)

**Global Sales & Distribution**  
 Kamerlingh Onneslaan 1-3  
 3401 MZ IJsselstein  
 The Netherlands  
**T** +31-(0)30 699 13 29  
**F** +31-(0)30 220 10 77  
**E** [info@terwa.com](mailto:info@terwa.com)

#### Terwa Construction Central East Europe

**Sales & Distribution**  
 Strada Sânzieni  
 507075 Ghimbav  
 Romania  
**T** +40 372 611 576  
**E** [info@terwa.com](mailto:info@terwa.com)

#### Terwa Construction Poland

**Sales & Distribution**  
 Ul. Cicha 5 lok. 4  
 00-353 Warszawa  
 Poland  
**E** [info@terwa.com](mailto:info@terwa.com)

#### Terwa Construction India & Middle East

**Sales & Distribution**  
 India  
**T** +91 89 687 000 41  
**E** [info@terwa.com](mailto:info@terwa.com)

#### Terwa Construction China

**Sales & distribution**  
 5F 504, No. 101 Chuanchang road  
 PRC, 200032, Shanghai  
 China  
**E** [info@terwa.com](mailto:info@terwa.com)

**ALL SPECIFICATIONS CAN BE CHANGED WITHOUT PREVIOUS NOTICE.**

### DISCLAIMER

Terwa B.V. is not liable for deviations due to wear of the products it has delivered. Neither is Terwa B.V. liable for damage due to inaccurate and/or improper handling and use of the products it has delivered and/or use of same for purposes other than those intended.

Terwa B.V.'s responsibility is furthermore limited in accordance with article 13 of the "Metaalunie" conditions, which are applicable for all Terwa B.V. deliveries. The user is responsible for ensuring compliance with all applicable copyright laws. Without limiting the rights under copyright, no part of this documentation may be reproduced, stored in or introduced into a retrieval system, or transmitted in any form or by any means (electronic, mechanical, photocopying, recording, or otherwise), or for any purpose, without the express written permission of Terwa B.V.